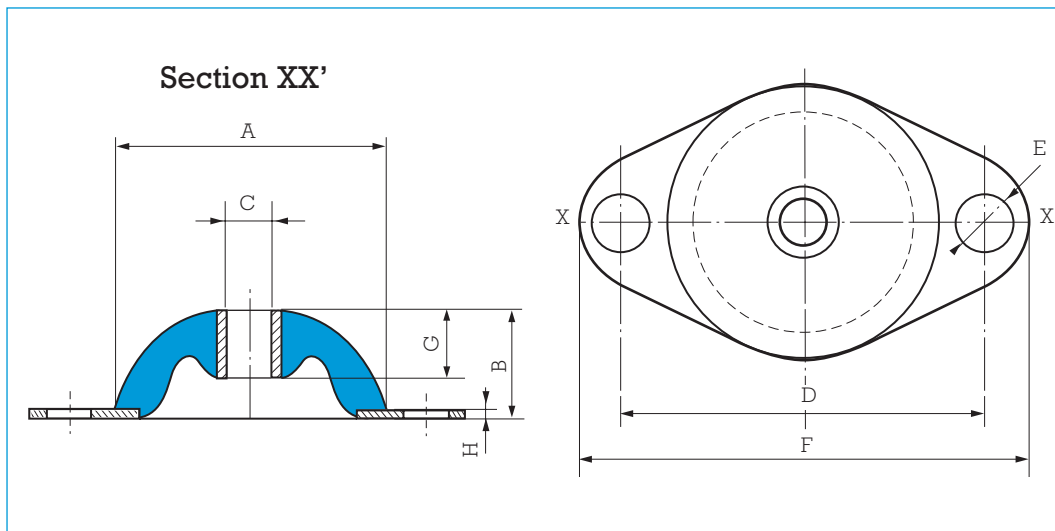


# POLYFLEX

(1) Natural frequency : 9 to 20 Hz



## DIMENSIONS

Reference	Ø A mm	B mm	Ø C mm	D mm	Ø E mm	F mm	G mm	H mm
<b>532300</b>	30	16	6	40	6.1	50	8	1.5
<b>532500</b>	50	20	8	66	8.2	82	13	2
532563	55	23	10.1	90	8.2	106	15	3
<b>532561</b>	60	25	12.2	76	8.5	95	20	4
<b>532750</b>	75	30	12.2	95	11.0	118	25	6

See current price list for availability of items.

## OPERATING CHARACTERISTICS

Nominal static load daN	Deflection mm	Reference	Hardness
1-5	3	<b>532300</b>	45
1-7	2	<b>532300</b>	60
2-8	1	<b>532300</b>	75
2-10	4	<b>532500</b>	45
3-15	3	<b>532500</b>	60
4-18	5	532563	45
5-20	2.5	<b>532500</b>	75
7-30	3	<b>532561</b>	45

Nominal static load daN	Deflection mm	Reference	Hardness
7-30	5	<b>532563</b>	60
10-40	2	<b>532561</b>	60
10-50	1.5	<b>532561</b>	75
10-50	4	<b>532750</b>	45
15-60	5.5	532563	75
15-65	3	<b>532750</b>	60
20-80	1.5	<b>532750</b>	75

(1) Natural frequencies with max/min loads, see : OPERATING CHARACTERISTICS.